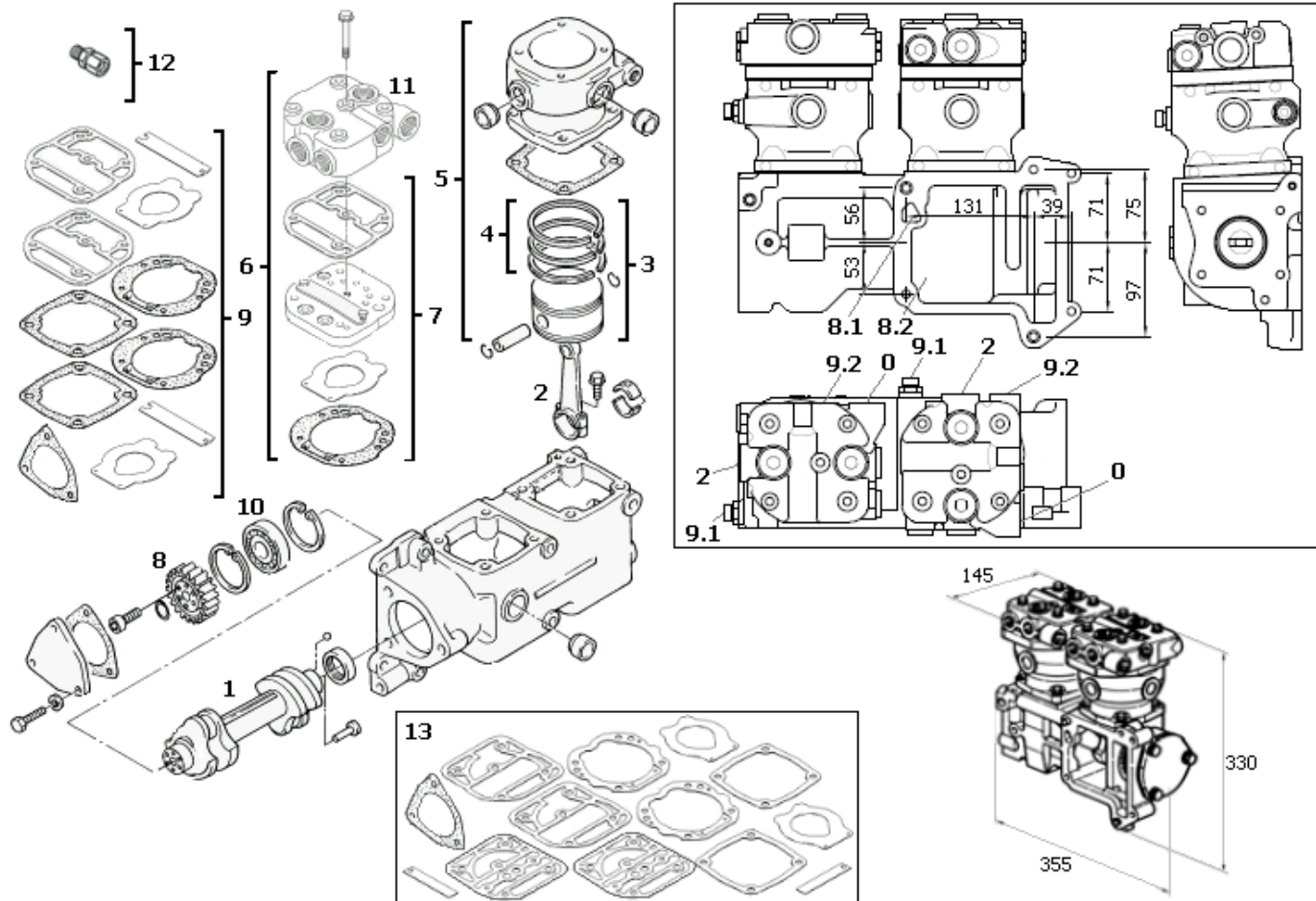


**BUS AUTODROMO ENGINE MAN NATURAL POWER
MAN BUS NL 243 E2866 DUH03 / E2866 DUH04 – NATURAL POWER**

MAN	51.54000.6021	
------------	----------------------	--

Bore	90	mm	Max speed	2600	°/min	0 Air in	M26 X 1.5	2 Air out	M26 X 1.5
Stroke	46	mm	Max Pressure	12	bar	8.1 Oil in	Flange	8.2 Oil out	Flange
Displacement	585	CC	Weight	29.5	Kg	9.1 Water in	M22 X 1.5	9.2 Water out	M16 X 1.5



Item	Code	Descrizione	Description
1	5800.025.504	Albero	Crankshaft
2	2000.030.026	Kit Biella	Connecting Rod
3	2000.030.023	Kit Pistone D. 90.0 (Seg. 2.5-2.5-4)	Piston Set D. 90.0 (Ring 2.5-2.5-4)
3	2000.030.024	Kit Pistone D. 90.5 (Seg. 2.5-2.5-4)	Piston Set D. 90.5 (Ring 2.5-2.5-4)
4	2000.030.019	Kit Segmenti D. 90.0 (2.5-2.5-4)	Piston Ring Set D. 90.0 (2.5-2.5-4)
4	2000.030.020	Kit Segmenti D. 90.5 (2.5-2.5-4)	Piston Ring Set D. 90.5 (2.5-2.5-4)
5	2000.030.030	Kit Cilindro Raffreddato ad Acqua	Water Cooled Cylinder Kit
6	3000.025.009	Kit Testa (Tipo Wabco)	Head Kit (Wabco Type)
7	3000.025.007	Kit Piastra (Tipo Wabco)	Plate & Valve Kit (Wabco Type)
8	5800.025.533	Ingranaggio	Gear
9	5800.025.055	Kit Guarn. e Valvole (Tipo Wabco)	Gasket & Valve Kit (Wabco Type)
10	5800.025.520	Cuscinetto	Bearing
11	3000.025.001	Testa Compressore (Tipo Wabco)	Head (Wabco Type)
12	9000.070.060	Valvola Max Pressione 17 bar	Safety Valve 17 bar
13	5800.025.056	Kit Guarn. e Valvole (Tipo Knorr)	Gasket & Valve Kit (Knorr Type)